

Energy-Efficient Bearing

省電軸承座

For 1HP / 2HP Paddlewheel Aerator only

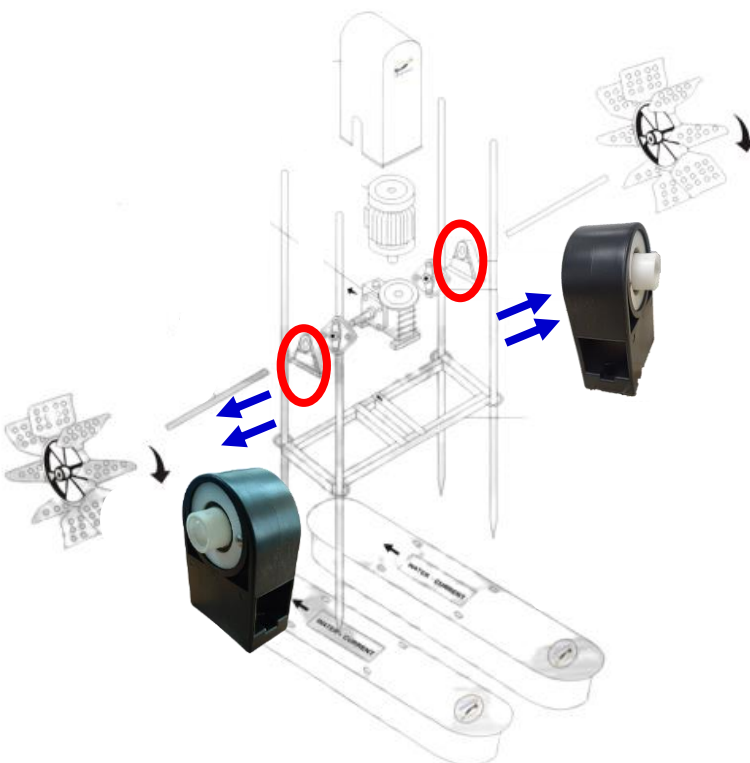


- ✚ 7~11% energy saving comparing with traditional bearing
- ✚ Smooth rotation, more durable & energy saving
- ✚ Equipped with two sets of deep groove ball bearings
- ✚ Easy to replace and maintenance
- ✚ Material : Industrial Plastic
- ✚ Patented model
- ✚ Reduce the force on the stainless steel shaft, prolong the service life of the motor and reducer

**Ball in the middle of the set is a consumable part, available to order & replace separately.

★ Check regularly if each screw is tightly fixed.

Suitable for 1HP / 2HP aerator only



Pioneer Group
 Pioneer Asia 亞旭國際有限公司
 Sun Asia Aeration Int'l Co., Ltd.

15F, 7, Ssu-Wei 4 Road, Ling-Ya District,
 Kaohsiung 80247, Taiwan, R.O.C.

TEL : + 886-7-537-0017

FAX : + 886-7-537-0016

www.pioneer-tw.com

Email: sales@pioneer-tw.com

Note : The Manufacturer Reserves The Right To Change Specification Without Prior Notice.

Installation : The white protrusion faces away from the direction of the reducer